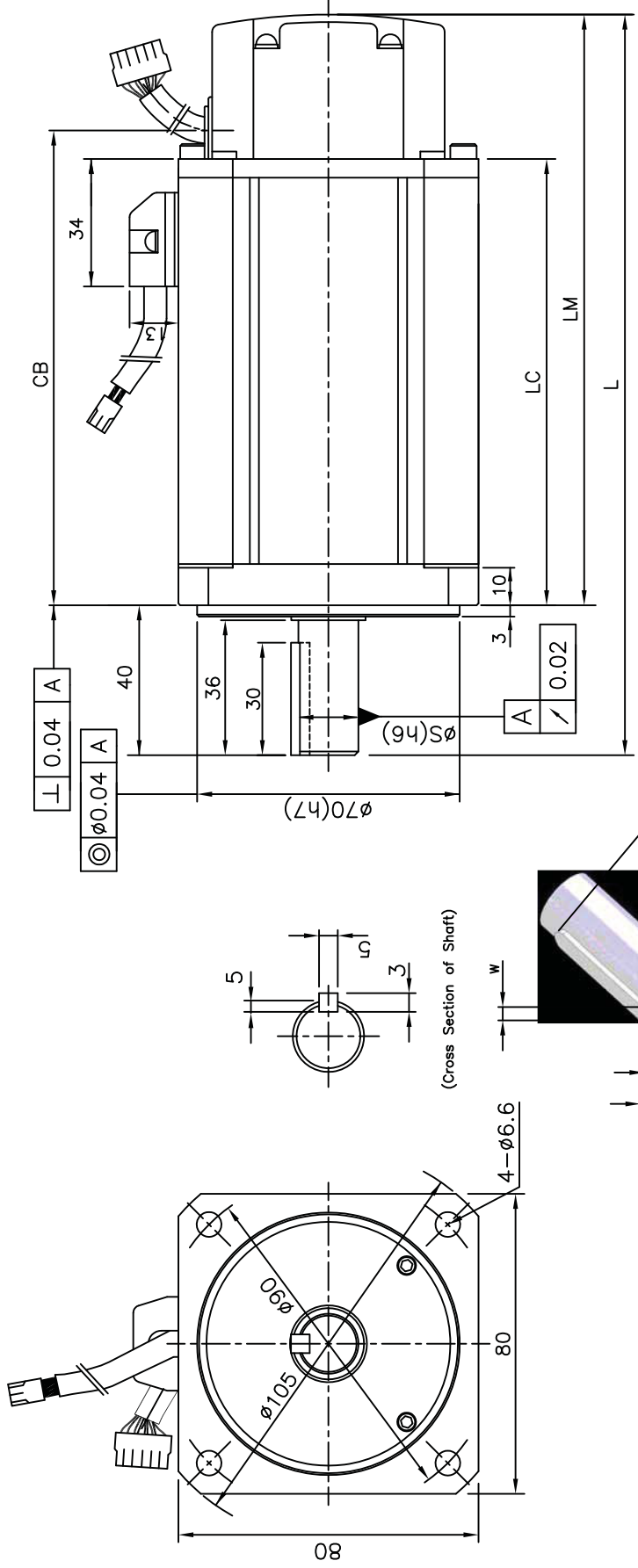


|     |      |                  |          |               |        |
|-----|------|------------------|----------|---------------|--------|
| QTY | ITEM | DESCRIPTION      | MATERIAL | SPECIFICATION | REMARK |
|     |      | AP08 SERVO MOTOR |          |               |        |

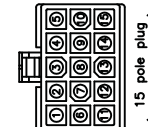
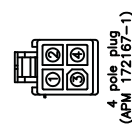


(Power Supply Connector Pins)

| Pin No. | Color | Phase  |
|---------|-------|--------|
| 1       | Red   | U      |
| 2       | White | V      |
| 3       | Black | W      |
| 4       | Green | Ground |

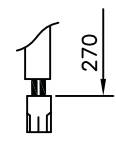
(Encoder Connector Pins)

| Pin No. | Phase | Pin No. | Phase  |
|---------|-------|---------|--------|
| 1       | A     | 9       | V      |
| 2       | B     | 10      | W      |
| 3       | Z     | 11      | U      |
| 4       | +     | 12      | W      |
| 5       | -     | 13      | U      |
| 6       | +     | 14      | W      |
| 7       | -     | 15      | U      |
| 8       | U     | 16      | SHIELD |

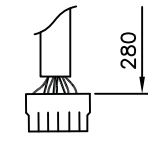


| Model   | External Dimensions (mm) |       |     |     | Weight(kg) |      |
|---------|--------------------------|-------|-----|-----|------------|------|
|         | L                        | LM    | LC  | CB  | S          | S    |
| SC04ADK | 158.5                    | 118.5 | 79  | 86  | 14         | 1.85 |
| SC05ADK | 178.5                    | 138.5 | 99  | 106 | 16         | 2.49 |
| SC08ADK | 198.5                    | 158.5 | 119 | 126 | 16         | 3.15 |
| SC10ADK | 218.5                    | 178.5 | 139 | 146 | 16         | 3.80 |

Power Cable Length: 270mm  
Power Cable Diameter:  $\phi 8$ mm



Encoder Cable Length: 280mm  
Encoder Cable Diameter:  $\phi 7$ mm



|            |       |
|------------|-------|
| TOLERANCE  | (K.S) |
| PROCESSING | CLASS |
|            | IT12  |

|        |  |                       |              |                    |                |
|--------|--|-----------------------|--------------|--------------------|----------------|
| CHANGE |  | <b>DSP automation</b> | PRODUCT NAME | AP08 Servo Motor   |                |
|        |  |                       | TITLE        | Out Line(Standard) |                |
|        |  | SCALE                 | 1/1          | NS                 | MM             |
|        |  | DATE                  |              |                    |                |
|        |  | DESIGNED              |              | CHECKED            | APPROVED       |
|        |  | DWG. NO.              | SM08GA001    |                    | REF. NO.       |
|        |  |                       |              |                    | File:SM08GA001 |