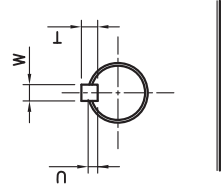
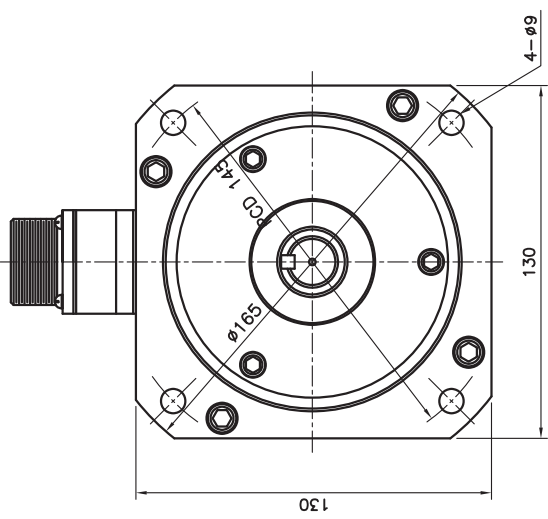
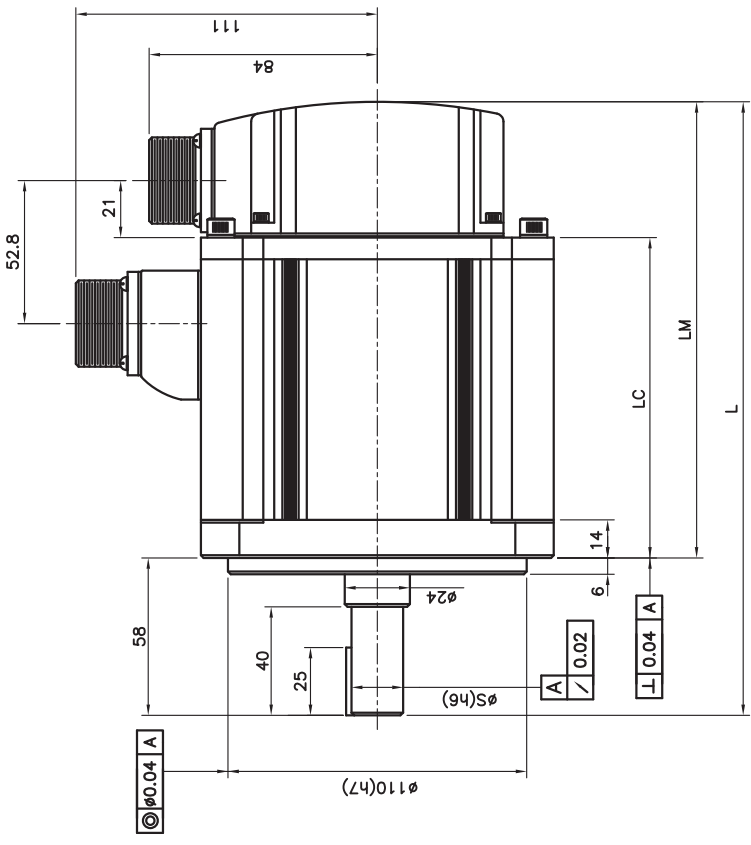
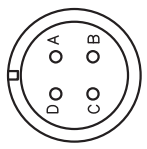


QTY		ITEM		DESCRIPTION		MATERIAL		SPECIFICATION		REMARK	
		1	01	Outline							

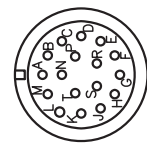


A	A	M	V		
B	A	N	V		
C	B	P	W		
D	B	R	W		
E	Z	H	+5V		
F	Z	G	OV		
K	U	J	SHIELD		
L	U				

판번호	신호명
A	U
B	V
C	W
D	참지



<시그:MS3102A20-4P>



<시그:MS3102A20-29P>

(APM-)	L	LM	LC	S	T	W	U	(kg)
SE09A, SE06D, SE05G, SE03M	202	144	94	19	5	5	3	5.6
SE15A, SE11D, SE09G, SE06M	226	168	118	22	6	6	3.5	8.7
SE22A, SE16D, SE13G, SE09M	250	192	142	22	6	6	3.5	10.2
SE30A, SE22D, SE17G, SE12M	274	216	166	22	6	6	3.5	10.2

TOLERANCE (K/S)	
PROCESSING CLASS	IT12

		PRODUCT NAME		AP13 Servo Motor	
		TITLE		Outline(Standard)	
		DWG. NO.		SM13GA001	
3RD ANGLE PROJECTION		SCALE	DIMENSION	DATE	REF. NO.
DESIGNED		1/2	(MM)		File:SM13GA001
CHECKED			APPROVED		
DESIGNED					

CHANGE

